



sealing solutions

UTEC molding **Compact Seal U105**

U105 Compact seals which have a widespread use are used as double acting sealing elements in hydraulic cylinders' piston applications. They can be easily assembled thanks to their 5-piece design.



### TECHNICAL DATA

Working Pressure 400 Bar  
 Working Temperature -30 +105  
 Sliding Speed 0.5 m/sn  
 Material 80 NBR/TPE/POM+Glass Filler  
 Media Mineral Base Hydraulic Oil

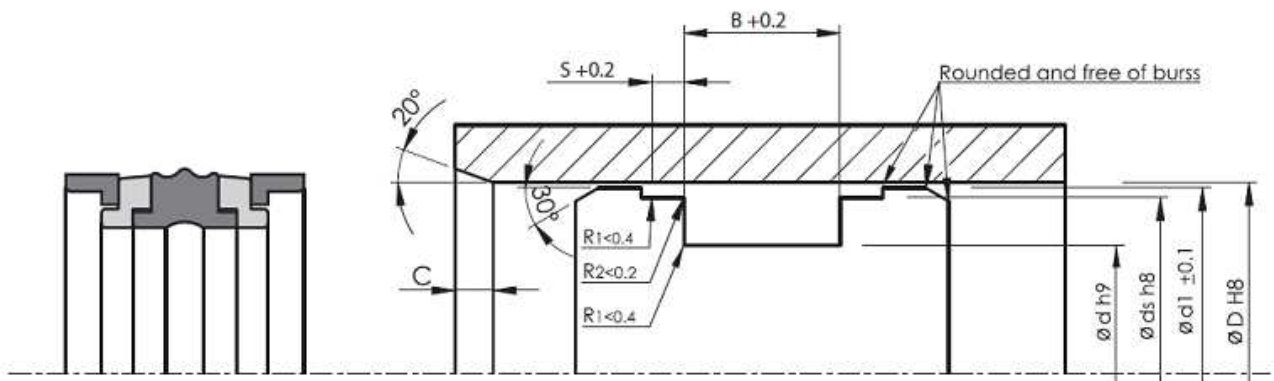
### Surface Roughness

Ra Rmax

Dynamic Surface  $\leq 0.3 \mu\text{m}$   $\leq 3 \mu\text{m}$

Groove Base  $\leq 1.8 \mu\text{m}$   $\leq 10 \mu\text{m}$

Groove Flanks  $\leq 3.2 \mu\text{m}$   $\leq 16 \mu\text{m}$



### UTEC Sealing Solutions Co., Ltd.

Address: No.25 JiangTianli Rd,south JiePu Rd,SIP,Suzhou , P.R. China

Tel:+86 (512) 62795018\*16 Fax: +86 (512) 62797880

Whatsapp:+86 18896801765

Skype:utecsealing

CN EN KR RU

E-mail:wang.anlei@utec.cc

DE EN ES FR PT

Email:tom.pohl@utec.cc

[WWW.UTEC.CN](http://WWW.UTEC.CN)